

POLARIZING MICROSCOPE

Lx POL



REDEFINING EARTH AND MATERIALS SCIENCES



The highly streamlined Lx POL delivers reliability and comfort through user-friendly design and precision engineering. Tight design tolerances and the SF (Strain Free) optical system produce true polarization. A combination of an optical grade polarizer with high extinction properties, individually centerable POL objectives, and a perfectly matched analyzer provide outstanding contrast and clarity.



For precise conoscopic imaging, an integrated module with focusable Bertrand Lens is provided between the viewing body and the specimen. Centration of the Bertrand Lens is achieved through easily accessible centering screws. Parking slots are built into the analyzer module for convenient storage of allen key drivers that facilitate centering of the analyzer and the objectives.



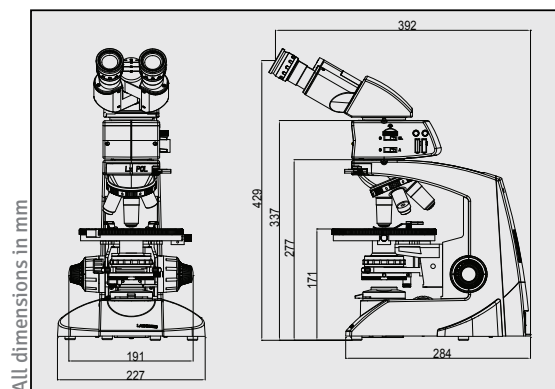
Two compensator plate slots and two centering tool slots are located onboard the analyzer/Bertrand lens module to prevent unwanted loss of accessories.



The Lx POL comes equipped with *MaxLite™* coated optics, a sputtered hard coating technology. This process ensures optics are free from stress-birefringence, often caused by thermal evaporation coatings used in most traditional microscopes. This ensures pristine polarized light required for earth and material sciences. All optical modules are treated to minimize stray light, further increasing resolution, clarity and overall optical performance.

Lx POL

Stand	Single mold sturdy stand with anti rust materials. Extended base for greater stability.
Viewing Body	Sidentopf Binocular or Trinocular head; 30° inclined, fixed; IPD 52-75 mm
Eyepiece	Focusable Wide Field eyepiece 10x/20mm with foldable eye guard. Factory installed fixed-verticality crosshair in one eyepiece.
Nosepiece	Reverse angle quadruple nosepiece (ball bearing type) with click stops, featuring independently centerable objectives
Analyzer	Adjustable analyzer with centration screws. Focusable Bertrand lens. Slider slots and spare slider holders. Comes equipped with Lamda, 1/4 Lamda and Quartz Wedge plates.
Polarizer	Rotating polarizer with orientation markers at every 90°
Objectives	SF series (antifungal, <i>MaxLite™</i> coated), infinity corrected DIN Plan Achromatic objectives: 4x (WD 30.0mm), 10x (WD 7.00mm), 40x (WD 0.65 mm); Optional 100x (WD 0.23mm) spring loaded, oil objective
Circular Stage	360° rotatable stage, 160mm with one degree increments and spring clips
Condenser	0.9 NA centerable strain free condenser
Focusing	Feather touch attrition-free coaxial coarse and fine focus adjustment with auto tension adjustment for longer life and ultra smooth movement. Weighted fine focus.
Illumination	Halogen 6V-30W with one installed bulb. Koehler field diaphragm.
Electrical	Universal input 100V - 240V AC, 50/60Hz. Built-in voltage sensing power supply.



DESCRIPTION

Lx POL Binocular
Lx POL Trinocular

CONFIGURATION

Binocular Head
Trinocular Head

CATALOG NO.

9151000
9152000



Labo America, Inc.
920 Auburn Ct.
Fremont, CA 94538
U.S.A.

Tel: (510) 445-1257
Fax: (510) 445-1317
E-mail: sales@laboamerica.com
www.laboamerica.com



DQS Inc.
Labo America Inc.
Registered to ISO 9001:2015
BR Number 10005565



Distributor

